

**Standard Construction and Materials**

**LOUVER:** Frame and blade are .081" thk. (nominal) extruded aluminum 6063-T52/T6 alloy, w/ post corner construction.

**SCREEN:** (When indicated, in a removable frame) 1/2" flattened aluminum, .051" thk.,  
 -or- Insect screen 1 3/16" aluminum mesh, .011" dia.,  
 -or- 1/2" sq. mesh intermediate double crimped aluminum wire, .063" dia.

**FINISH:** Varies.  
**SIZE:** 38" x 38" x 18", sits on a curb 12" - 36" high.

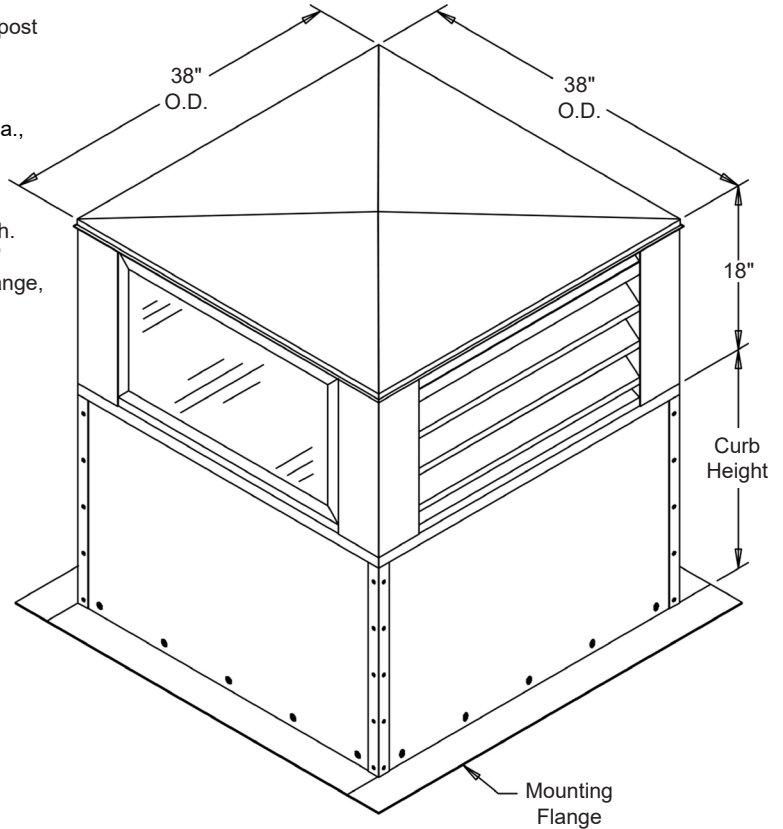
**CURB:** 12 GA. Galvanneal, galvanized steel or 1/8" thk. (nominal) aluminum w/ 4" mounting flange, welded construction.

**ROOF:** .060" thk. (nominal) formed aluminum with 1/2" thk. (nominal) rigid insulation.

**POST CORNER:** .081" thk. (nominal) formed aluminum.

**GLASS:** 1/8" thk. (nominal) annealed glass.

**ROOF OPENING:** 28" x 28" minimum, 38" x 38" maximum.



**Louver Details**

**MODEL:** X4K4 (Cesco Products)

**SIZE:** 30" x 18" (3) three required.

**FREE AREA:** 4.905 sq. ft. Total.

**Control Damper Details**

**MODEL:** SG1H Class I - 250° Smoke Damper (Cesco Products)

**SIZE:** 26" x 26" O.D. (nominal)

**ACTUATOR:** Internally mounted power close spring open (fail open) 120 VAC actuator w/ open/closed indicator.

**CORE AREA:** 4.38 sq. ft.

**Options**

- Hinged louver with hasp or surface mount latch in place of access door in curb.

**Notes**

1. Actuator access door in ductwork supplied and installed by others.

Item #	Qty	Width	Height	Curb Height	Glass Access	Hinged Access	Tagging	Union Made	
Arch. / Eng. :		Roof Opening		EDR:		ECN:		Job:	
Contractor:									
Project:				Date:		DWN:		DWG:	

In the interest of product development, Cesco Products reserves the right to make changes without notice.



450 Riverside Dr • Wyalusing PA, 18853  
 Phone: 570-746-1888 • Fax: 570-746-9286  
 www.cescoproducts.com

■ Penthouse Optional Construction

